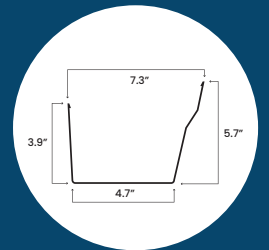
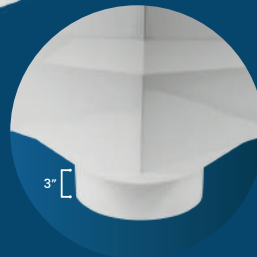


PARABATAI HI-TECH UPVC RAIN WATER GUTTER & FITTINGS

6-INCH Hi-Tech Rain Water Gutter

PARABATAI
HI-TECH RAIN WATER GUTTER

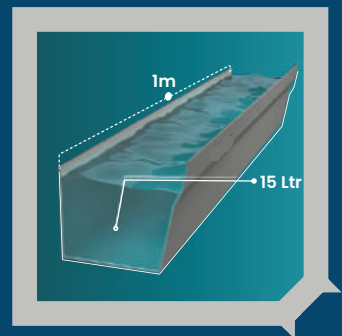
CAPACITY
15
LITERS
PER METER



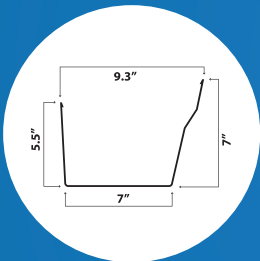
9-INCH Hi-Tech Rain Water Gutter

PARABATAI
HI-TECH RAIN WATER GUTTER

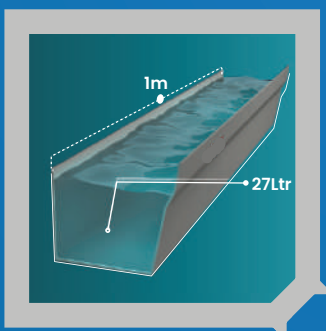
CAPACITY
27
LITERS
PER METER



CAPACITY
15 LTR / M



DUAL DROP



CAPACITY
27 LTR / M

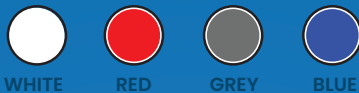
PARABATAI HI-TECH UPVC RAIN WATER GUTTER & FITTINGS

A revolutionary product that combines form and function to serve both domestic and industrial water discharge needs.

Parabatai 6 Inch Gutter is ideal for medium-sized roofs, residential homes, villas and areas with moderate rainfall. It efficiently handles typical water flow without overflow.

Parabatai 9 Inch Gutter First-in-segment with a dual outlet design. Designed for large roof areas such as commercial buildings, or industrial sheds. It supports high-volume water discharge, especially during heavy or torrential rains.

COLOURS



DESIGNED FOR FLOW. BUILT FOR LIFE.



Gutter



End Drop-Left



End Drop - Right



End Cap-Right



End Cap-Left



Centre Joint



Centre Drop



Elbow Inward



Elbow Outward



Elbow Drop Inward



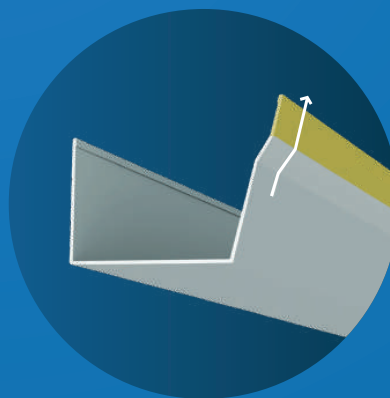
Elbow Drop
Outward



PVC Clamp



STAR BOTTOM



TALLER FRONT



Rust Free



Super Flow
Design



Double
Protection



Decoratively
designed



Durable



PARABATAI TECHNOTECH PVT LTD

L-7 & 8, Upper Ground Floor, Lane No - 7, New Mahavir Nagar, New Delhi - 110018

7835000230 - 7835000232 - 7835000233 - 7835000234

sales@parabatai.in