

PARABATAI HI-TECH UPVC RAIN WATER GUTTER & FITTINGS



Star Bottom
Tech



DESIGNED FOR FLOW. BUILT FOR LIFE.

PARABATAI



6-INCH Hi-Tech Rain Water Gutter



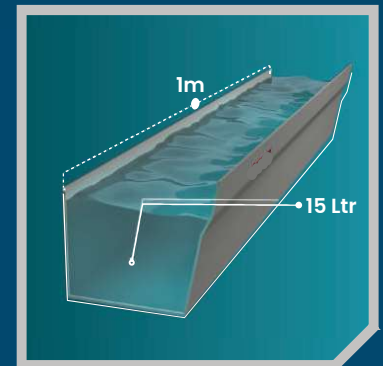
SIZE 6 INCHES
CAPACITY 15 LITRES PER METER

COLOURS

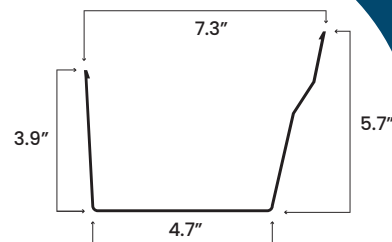
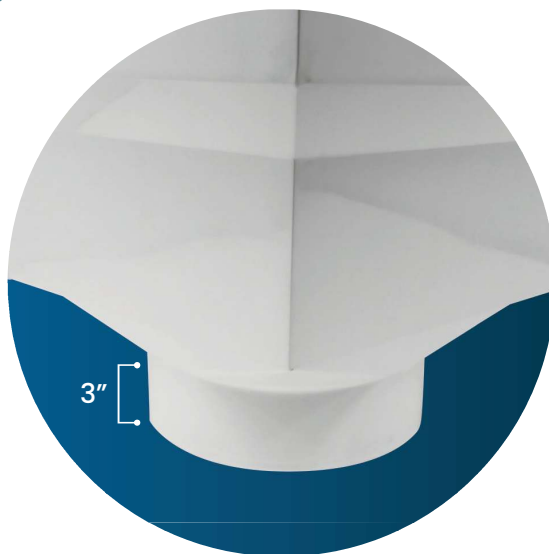


A revolutionary product that combines form and function to serve both domestic and industrial water discharge needs.

Ideal for medium-sized roofs, residential homes, villas and areas with moderate rainfall. It efficiently handles typical water flow without overflow.



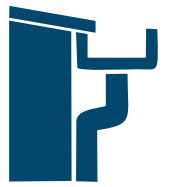
**CAPACITY
15 LTR / M**



PARABATAI



9-INCH Hi-Tech Rain Water Gutter



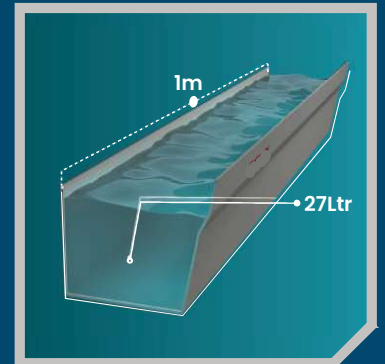
SIZE 9 INCHES
CAPACITY 27 LITRES PER METER

COLOURS



First-in-segment with a dual outlet design.

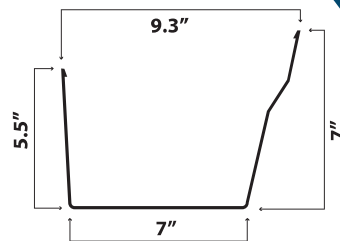
Designed for large roof areas such as commercial buildings, or industrial sheds. It supports high-volume water discharge, especially during heavy or torrential rains.



**CAPACITY
27 LTR / M**



DUAL DROP



PARABATAI





Key Features



1. Heavy-Duty Build with Premium UPVC

Made using high-grade, UV-stabilized UPVC, our gutters are:

- Crack-resistant and corrosion-free
- Resistant to UV rays, harsh sunlight, and acid rain
- Designed for long-term durability in all weather conditions

2. Star Bottom

- The Star Bottom profile enhances water flow and reduces the chance of clogging
- Facilitates smooth, uninterrupted drainage

3. Leak-Proof Sealing & Snap-Lock Fitment

Smart-fit design with tight, secure joints that:

- Prevent leaks at connection points
- Ensure easy installation
- Withstand high-volume water flow under pressure

4. Decorative Yet Functional Aesthetic

Modern design with clean lines and a smooth finish suited for:

- Residential homes
- Commercial buildings
- Industrial sheds and farms

5. Rust-Free and Maintenance-Free

Built to handle the elements:

- No metal parts = no rust, ever
- Requires minimal cleaning due to its anti-clog profile
- Withstands decades of use without degradation



Star Bottom



**Decoratively
designed**



Durable



Key Features



6. Innovative Precision-Fit Clamps

Custom-designed clamps that match the exact shape of the gutter:

- Offer better support than generic clamps
- No slippage, no sagging even in heavy rain
- Made from UV-stabilized UPVC, resistant to sun, acid rain, and temperature extremes
- Guaranteed rust-free for life

7. 9-Inch Model has a unique Dual Outlet Technology with Taller Front Edge

The 9-Inch Hi-Tech Rain Gutter includes a revolutionary dual outlet design with:

- One 6-inch outlet for heavy-duty discharge
- One 4-inch outlet for lighter flow
- This allows adaptive water flow management — a first in the Indian rain gutter segment. Perfect for large roofs with fluctuating water load.
- The taller front edge prevents overflow and splashback, ensuring cleaner facades

8. Modular Interlocking System

The entire gutter system is designed with modular, interlocking components that allow:

- Quick installation on new or existing roofs
- Easy length adjustment and corner adaptation
- Compatibility with sloped, flat, or metal-sheet roofing structures
- Perfect for phased projects or retrofitting older buildings.

9. Rainwater Harvesting Ready

Parabatai gutters are pre-compatible with water-saving systems, enabling:

- Easy connection to storage tanks, filters, and recharge pits
- Clean water direction into harvesting inlets
- Sustainable and eco-conscious site planning
- Ideal for residential, commercial, and government projects with green mandates.



Rust Free



Super Flow Design



Double Protection



Key Features



10. High Flow Handling Capacity

Engineered to manage high-intensity rainfall with precision. The deep and wide profile ensures:

- Quick drainage during monsoon
- No water logging or reverse flow
- Smooth performance even in storm-prone zones

11. Impact-Resistant Body

Manufactured using tough UPVC, the gutter body can withstand:

- Falling branches or construction debris
- Tool contact during cleaning or site work
- Sudden pressure changes during downpour
- Zero dents. Zero cracks. Long-term reliability.

12. Low Thermal Expansion

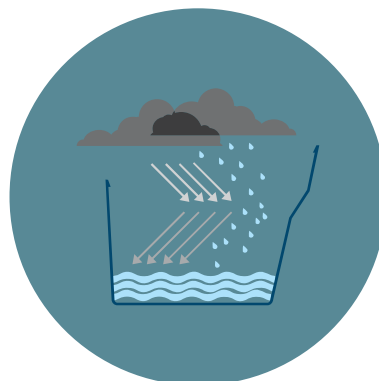
Special UPVC formulation minimizes thermal reactions, which means:

- No sagging or warping in hot summers
- No shrinking or brittleness in cold winters
- Shape retention for years, even under direct sun exposure

13. Weatherproof Color Stability

UV-stabilized pigments and surface treatment ensure:

- No fading, yellowing, or chalking
- Long-lasting color vibrancy
- Premium look retained for years without repainting



5 Reasons to install Parabatai Rain Water Gutter

1  Increases roof life by preventing water backflow

2  Preserves landscaping and outdoor flooring

3  Protects walls from seepage and mold

4  Enables rainwater harvesting

5  Prevents foundation damage by redirecting water



WHY UPVC ?

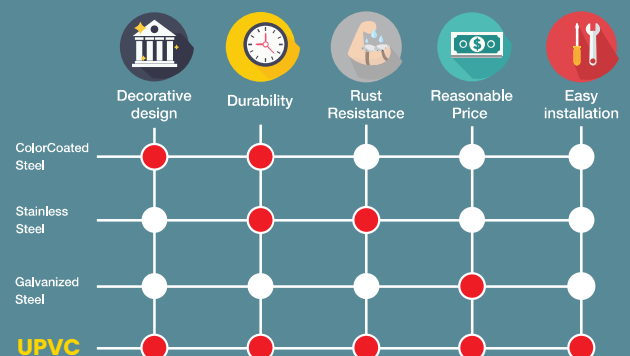
In today's market, rainwater gutters are made from various materials, but UPVC remains the most trusted and widely used – both in India and globally.

Made from a durable synthetic polymer, UPVC is:

- Stronger and longer-lasting than traditional materials
- Designed for outdoor use in all weather conditions
- 100% recyclable, making it an eco-conscious choice

UPVC offers the perfect balance of strength, sustainability, and performance, making it ideal for both residential and industrial rainwater systems.

Which are your favorite qualities in rain gutters?



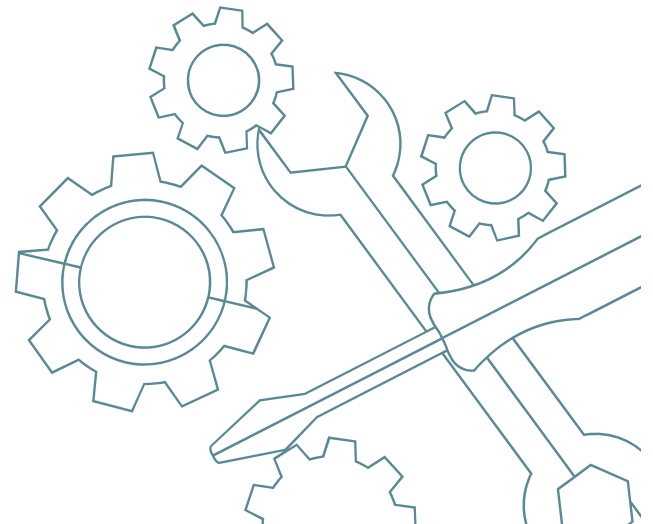
Why

Parabatai UPVC Rain Water Gutters ?



“ Parabatai UPVC rain gutters are aesthetically designed to enhance the look of any home. Their seamless design ensures fast water flow, while hidden clamps protect eaves and fascias with a clean finish.

Made from solid vinUPVC, they offer high strength and resist UV rays, heavy rain, and extreme weather conditions. ”



PARABATAI

FEATURE RICH FITTINGS

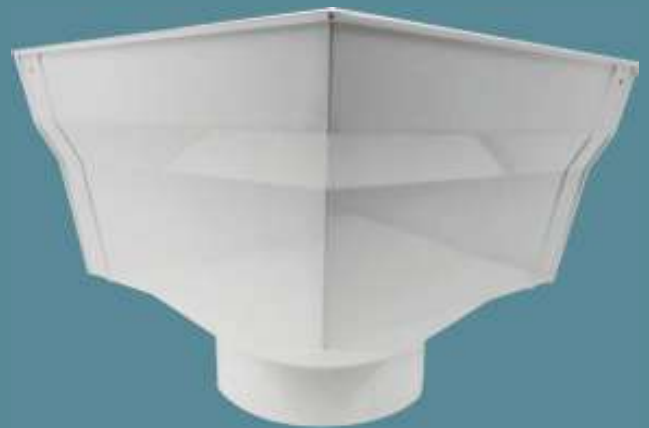


CENTRE JOINT FITTING

The Parabatai Centre Joint securely connects two gutters, preventing bending or warping at the edges. It is available in a range of colors to perfectly match the gutter system.

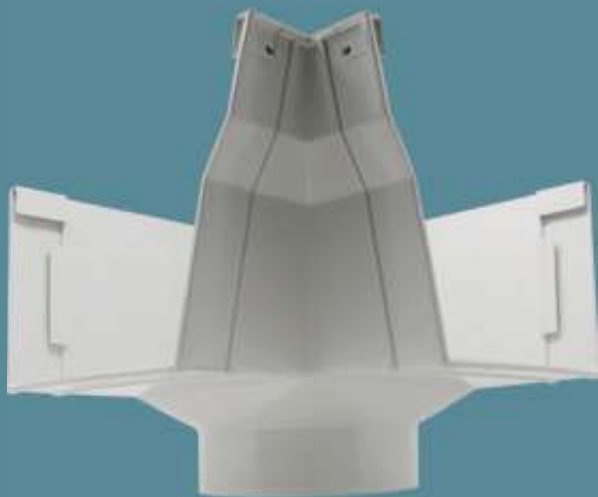
ELBOW DROP OUTWARD

This fitting is used to turn the direction of the gutter outward at a 90° angle, allowing efficient water flow around corners or obstacles.



ELBOW DROP INWARD

Used to alter the direction of gutter flow inward at a 90° angle, this fitting ensures a smooth transition without leaks or blockages.



FEATURE RICH FITTINGS



CENTRE DROP

Also known as a Running Outlet, this fitting connects two gutters and channels water through an outlet. It ensures smooth drainage at the centre point of the system.

ELBOW INWARD & OUTWARD

It turns water flow around the corners of the gutter flow at a 90° angle. It securely locks the gutter inside the clip to prevent flipping.



END DROP

This fitting provides an outlet at the end of the gutter, with an outlet. It includes a stopper and a secure clip to keep the gutter edges in place.

FEATURE RICH FITTINGS



END CAP

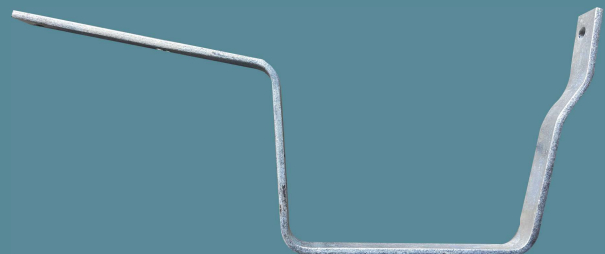
Used to seal the end of the gutter, the End Cap locks the profile securely inside the clip to avoid edge flipping. Available in matching colors for a seamless finish.

CLAMP

A critical support fitting, Parabatai offers two types of Clamps that are made to match the gutter shape and provide superior strength. Made from high-grade UGI and the other of GI + PVC, they resist UV rays, acid rain, and extreme weather.

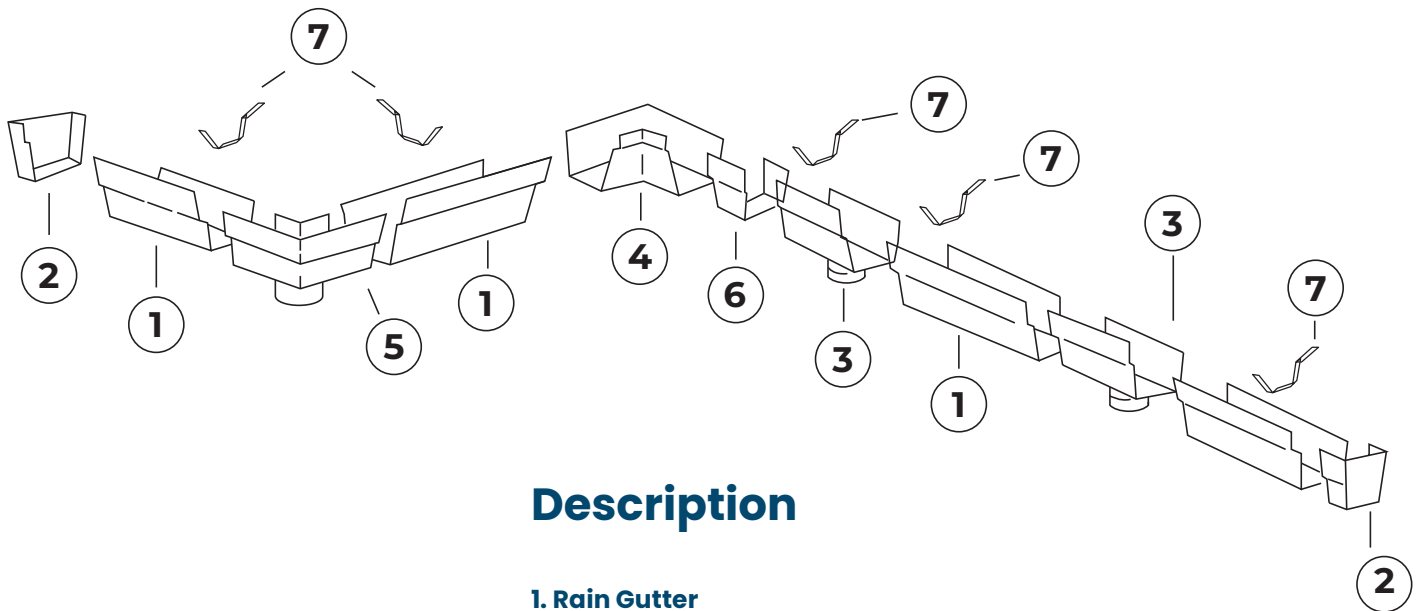


GI + PVC



GI

Technical Guideline



Description

- 1. Rain Gutter
- 2. End Cap (Left or Right)
- 3. Centre Drop
- 4. Elbow Inward
- 5. Elbow Outward
- 6. Centre Joint
- 7. Clamp



CORPORATE OFFICE

PARABATAI TECHNOTECH PVT LTD
L-7 & 8, Upper Ground Floor,
Lane No - 7, New Mahavir Nagar,
New Delhi - 110018



Call us today
7835000230

Email
sales@parabatai.in